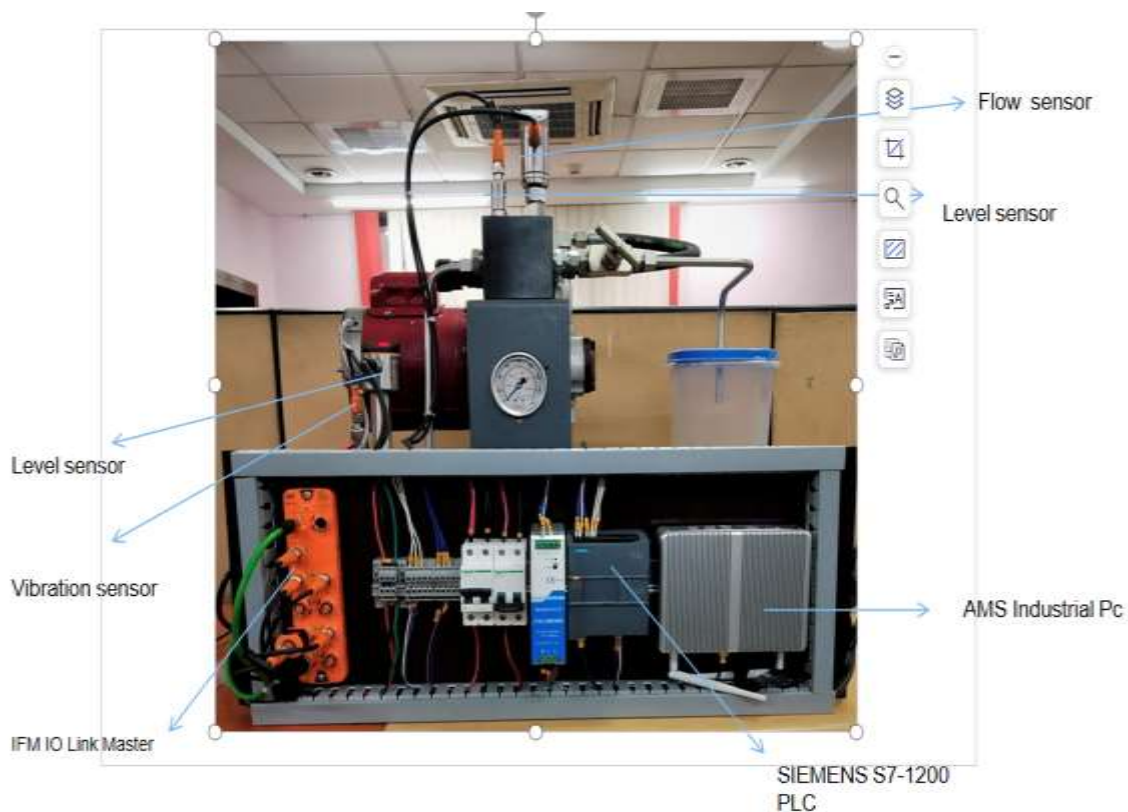


ANALOG KIT



Introduction

The Analog Kit functions as an integrated sensor and control system operating over Ethernet. It combines signals from Vibration, Level, and Temperature Sensors with DI and AI inputs through the AIO Controller. Utilizing the Ewon Flex Gateway and the Modbus TCP Protocol, the system ensures efficient data transmission over Ethernet for seamless integration and monitoring.

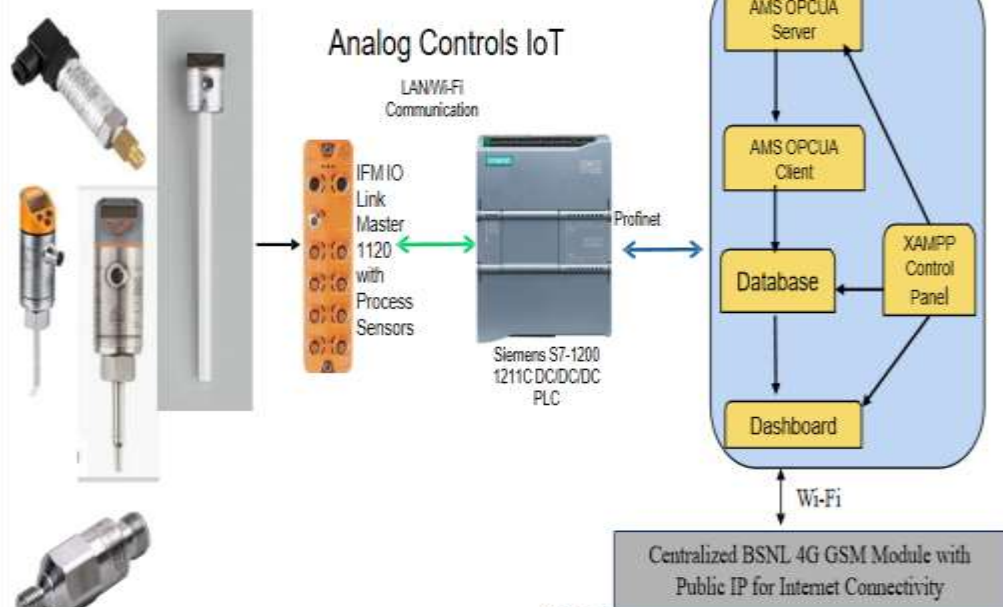
Purpose

- Analog Kit are useful for Training and Testing
- Web and mobile-based visualization of sensor data

- D-link hub.
- IO simulator for FLX3402
- Siemens PLC , CPU 1211C DC/DC/DC
- PLC digital and analog input.
- IFM IO Link Master – AL1102

- Sensors include
- Flow
 - Pressure
 - Temperature
 - Level
 - Vibration

Industrial PC
IP 192.168.0.203



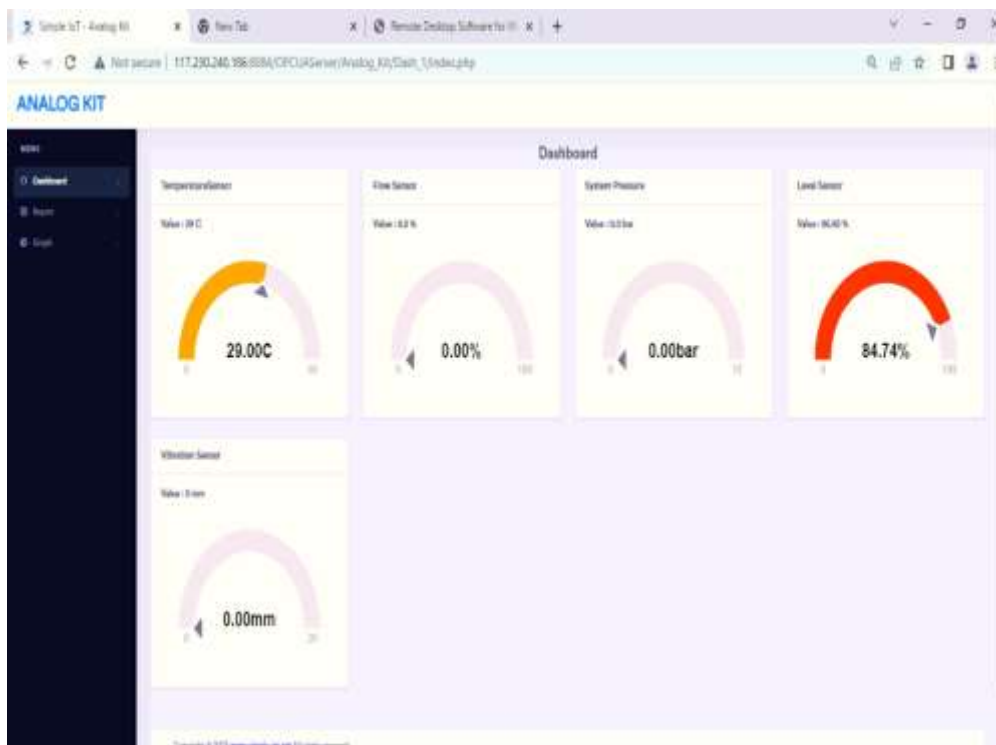
Notes:

- 1) Dash board to analyze the data and support decision making
- 2) 24V DC Power Supply unit is required for operation

Analog Kit - Architecture

Analog Kit has possible way to communicate

With Gateway via OPCUA



- **Analog Kit -Dashboard**
- PLC Kit provides
 - Analytic Dashboard
 - Predictive Dashboard
 - Report
 - Automatic report generation
 - Alarm & Events triggered
 - Automatic Sending report via Email

Thank You

Visit us at www.ams-india.co.in

Disclaimer

Advance Mechanical Services Private Limited , herein referred to as AMS-India provides a wide array of presentations and reports, with the contributions of various professionals. These presentations and reports are for informational purposes and private circulation only and do not constitute an offer to buy or sell any securities mentioned therein. They do not purport to be a complete description of the markets conditions or developments referred to in the material. While utmost care has been taken in preparing the above, we claim no responsibility for their accuracy. We shall not be liable for any direct or indirect losses arising from the use thereof and the viewers are requested to use the information contained herein at their own risk. These presentations and reports should not be reproduced, re-circulated, published in any media, website or otherwise, in any form or manner, in part or as a whole, without the express consent in writing by AMS-India. Any unauthorized use, disclosure or public dissemination of information contained herein is prohibited. Unless specifically noted, AMS-India is not responsible for the content of these presentations and/or the opinions of the presenters. Individual situations and local practices and standards may vary, so viewers and others utilizing information contained within a presentation are free to adopt differing standards and approaches as they see fit. Products and names mentioned in materials or presentations are the property of their respective owners and the mention of them does not constitute an endorsement by AMS-India. Information contained in a presentation hosted or promoted by AMS-India is provided “as is ” without warranty of any kind, either expressed or implied, including any warranty of merchantability or fitness for a particular purpose. AMS-India assumes no liability or responsibility for the contents of a presentation or the opinions expressed by the presenters. All expressions of opinion are subject to change without notice.