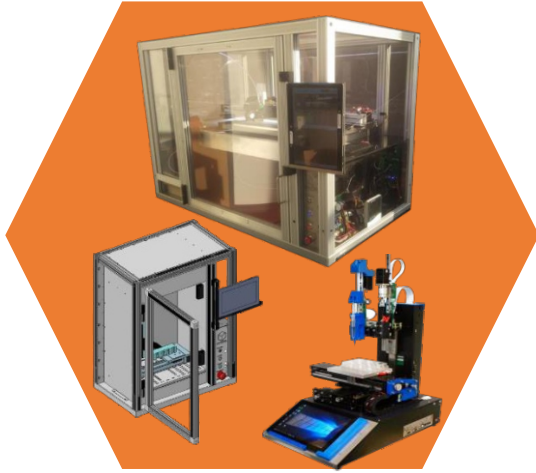




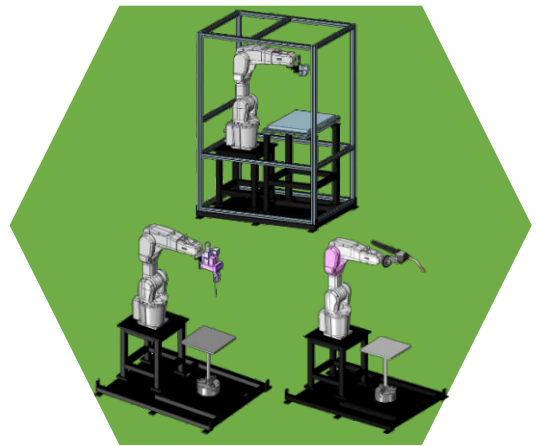
AMS-India

# AMS-India Offerings



## ADDITIVE MANUFACTURING

- FDM 3D Printers
- SLA 3D Printers
- Bio 3D Printers
- 3D Printing Services
- Filament & Resin based Print Heads
- Diversified materials
- 3D Food Printer



## ROBOTICS 3D PRINTERS

- Plastic Filament Additive Manufacturing
- Fronius MIG WAAM
- Raycus Laser WAAM



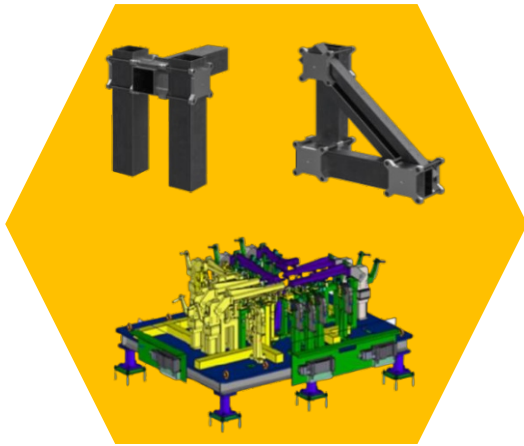
## DRONES

- Hexacopter
- Drone Weight – 9 Kg
- Payload Capacity – 3 Kg
- Flight Time – 45 minutes



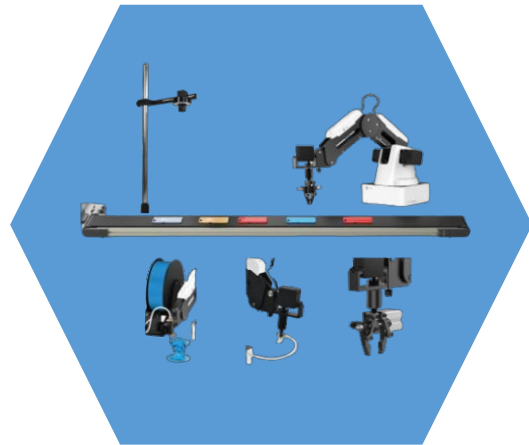
## EDUCATION & SKILL DEVELOPMENT

- Training Partners with NIELIT
- MBA Program with Alliance University
- Industrial workshops for students of all domains



## ENGINEERING SERVICES

- **Box Joint Technology with Harcourt**
- **Fixturing & Tooling [BIW]**
- **Robotics & Simulation**



## IOT & AIML

- **IOT System for Metrological Inspection**
- **IOT System for Additive Manufacturing**
- **IOT System for Process Monitoring**
- **IOT System for EBAS Medical Device**
- **AIML Vision system with ABB Robot**

# SIEMENS

*Ingenuity for life*

## SOFTWARE SALES

- **CAD Software – NX & Various series of NX**
- **Simulation Packages - Technomatix**

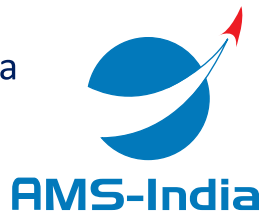
## Advance Mechanical Services Private Limited

108 E, First Floor, SRS Road, III Phase,  
Peenya Industrial Area,  
Bangalore 560058, Karnataka, India

+91- 7338554030

[sales@ams-india.co.in](mailto:sales@ams-india.co.in)

[www.ams-india.co.in](http://www.ams-india.co.in)



## Scan here for more information

AMS HYREL 3D



AMS HYREL Heads



Robot 3D Orienter



IOT Brochure



Waste to Wealth



Harcourt

