



Advance Mechanical Services Presents BoxJoint Technology To Make Tooling Simple In Collaboration With Harcourt Inc.

Design and build complicated
Tooling using Unitized and
Flexible BoxJoint Technology
Tooling components.



H-BOX



H-SHIMBOX



H-FLAG

The unique, patented technology allows re-usability of the tooling components thereby reducing manufacturing lead times and tooling costs.

FOR SALES QUERIES CONTACT

Mr. Rajiv J Dhawan, Email: rajiv.dhawan@ams-india.co.in

Mobile: +91 9552523719

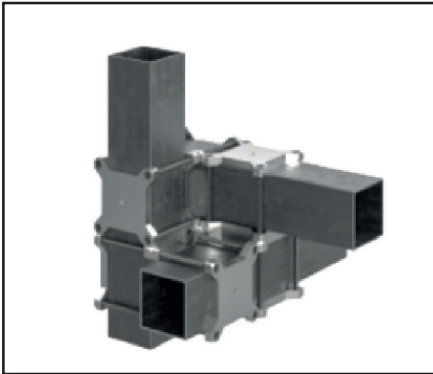
Address: 108E , SRS Road, Peenya Industrial Area ,
Phase 3, Bangalore 560 058, Email: info@ams-india.co.in

Mr Vishal Adhav

Email: vishal.adhav@ams-india.co.in

Mobile: +91 7972270646





H-BOX



H-SHIMBOX



H-FLAG

Address: 108E , SRS Road, Peenya Industrial Area ,
Phase 3 Bangalore 560 058 Email: info@ams india co in